

ROGOZ AUDIO ANTI-VIBRATION AUDIO STAND



4-level, four-legged stand with glossy piano finish shelves (natural sappele mahogany veneer; dyed wood: No. 25-25) The frame contains quartz sand ballast (bolted holes in the legs make it possible to change the amount and kind of ballast). The frame color: satin black. The top shelf is 50 mm thick with sandwich structure and is optimal for analog gramophones and digital signal sources. The middle and bottom shelves are 40 mm thick and have a similar structure. All the shelves are separated from the stand frame by the Balancing Board System. BBS has kinematic and dynamic qualities which enable isolated masses to “float” to the sides relative to the system axis, maintaining point support at the same time. BBS also makes it possible to level the stand shelves.

Anti-vibration stands are designed for high end audio components. The frame has been tuned by a suitable combination of alloy steel and high-fiber content steel. The frame consist of extra-strong legs made of carbon steel S235JR (which is used for load-bearing stuctures subject to heavy dynamic load, e.g. in cranes) connected by crosspieces made from higher-strength alloy steel S355. Adjustable anti-vibration leveling spikes are used for for high-precision leveling.

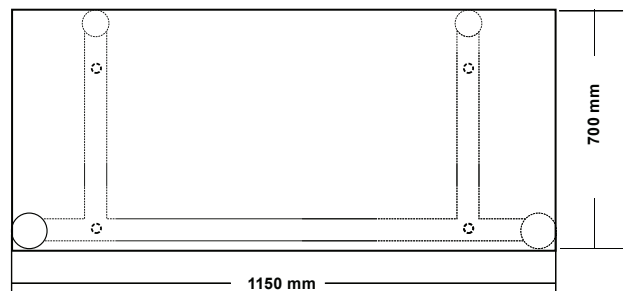
TECHNICAL DESCRIPTION

- Overall height: 1046 mm
- Overall width: 1150 mm
- Overall depth: 700 mm
- Leg profile: steel pipes (Ø 76.1 mm – front, Ø 60 mm – back)
- Top shelf: 1150 x 700 x 50 mm
- Center and bottom shelves: 985 x 640 x 40 mm
- Usable distance between the shelves (moving upwards): 300, 200, 200 mm
- Maximum load for each shelf: up to 150 kg (total: 600 kg)
- Ballast: quartz sand

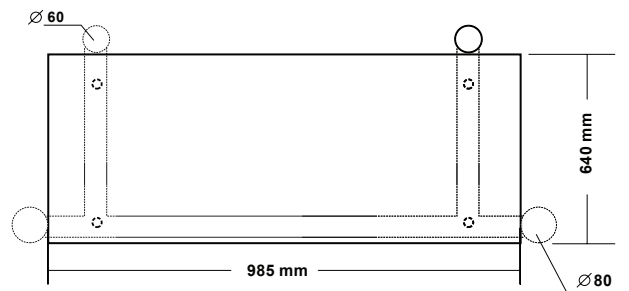
A COMPLETE SET INCLUDES:

- 1 steel frame
- 4 shelves
- 4 height-adjustable spikes
- BBS under each shelf
- 4 massive anti-scratch disks protecting the floor

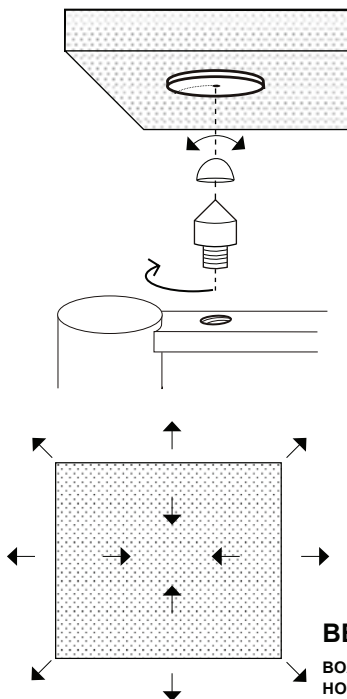
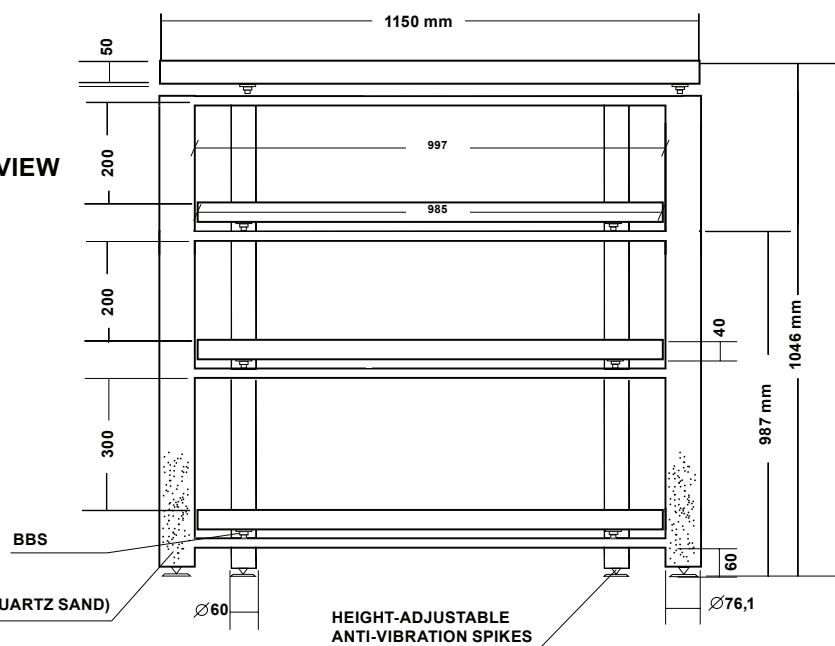
VIEW FROM ABOVE
top shelf



VIEW FROM ABOVE
center shelf



FRONT VIEW



BBS
BOARD BALANCING INVOLVES
HORIZONTAL PLANE MOVEMENT
IN ALL DIRECTIONS

Gross weight including the packaging and pallet

180 kg